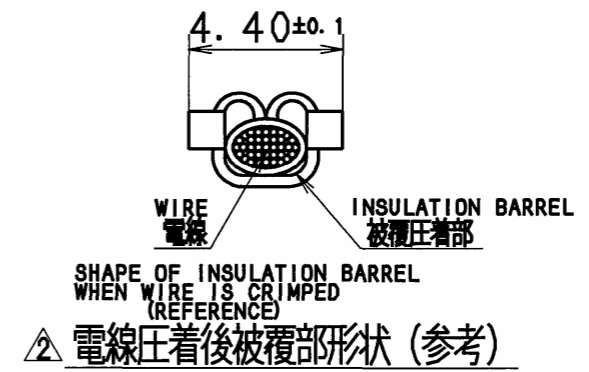


PART NO.	W1	W2	H1	H2	MATL. & SPEC.	APPLICABLE WIRE SIZE
7116-1230 (7B16-1230)	2.60	4.20	(2.70)	(3.70)	Sn PLATING	0.3 ~ 0.5 Sq
7116-1231	3.30	5.00	(3.60)	(4.50)	Sn PLATING	0.85 ~ 2 Sq
7116-1230-08	2.60	4.20	(2.70)	(3.70)	Au PLATING	0.3 ~ 0.5 Sq
7116-1231-08	3.30	5.00	(3.60)	(4.50)	Au PLATING	0.85 ~ 2 Sq

注記
 1) かん合雄端子品番: 7114-1230 ETC.
 2) () 内品番は、エアバッグ (A/B) 回路及び特別管理回路に使用する時に適用すること。

NOTES
 1) MATING MALE TERMINAL NO. : 7114-1230 ETC.
 2) PART NUMBERS IN PARENTHESIS SHALL BE USED FOR AIR BAG (A/B) CIRCUITS AND OTHER CIRCUITS DESIGNATED FOR SPECIAL MONITORING.



11.10.26		ADDED VIEW ETC.	C11-Z814	K. U	CUSTOMER		MATERIAL SPEC. Δ BRASS (t=0.3)		TREAT. & FIN.	
93.10.14		ADDED PART NO.	C93-7035	M. K	CUSTOMER PART NO.		CUSTOMER DWG NO.		NAME Δ S TYPE TERMINAL FEMALE	
89.02.07		NEW	C89-L257	T. M	OFFICE		TRIAL PART NO.		ISSUE MARK	
LET	DATE	REVISION RECORD	NO.	CHKD	VENDOR		VENDOR NO.			
GENERAL TOLERANCE					DWG TYPE		DWG SOURCE		DWG DATE	
	10MAX	50MAX	100MAX	250MAX	250OVR	ANGLE	ECCENT			
A	± 0.15	± 0.2	± 0.3	± 0.5	± 0.75	$\pm 30'$	0.1	R	NEW	89.02.18
B	± 0.2	± 0.3	± 0.55	± 0.95	± 1.4	$\pm 30'$	0.1	APPROVED	CHECKED	CHECKED
©	± 0.3	± 0.5	± 0.8	± 1.4	± 2	$\pm 30'$	0.15	M. KASHIYAMA		
SPECIFIED					MASS		g		PART NO. 7116-1230 ETC.	
					11.10.26		82.09.14		CH. CODE 7116-1230:R	
							11.10.26		DWG NO. 7116-1230:R	
									SET DWG NO.	
									YAZAKI CORPORATION	